

## 94069 FRP Gauge Hatches

The Shand & Jurs 94069 Fiberglass Reinforced Plastic (FRP) Series Gauge Hatches are designed to provide ready access to storage tanks for level gauging or obtaining samples. Carefully chosen resins allow application to a wide range of products that previously required exotic metal construction.

The Shand and Jurs 94069 Series Gauge Hatches provide an effective vapor tight seal to minimize costly product evaporation loss, until level gauging or sampling of the tank is required. A secondary feature of the Standard Design is to provide pressure relief supplemental to the conservation vents.

### Construction

#### Standard:

Flange, Seat, and Handle are made from Derakane 470 Vinyl Ester Resin. Stainless Steel Hardware and Teflon diaphragm are standard. Special air cushion seal design ensures long lasting vapor tight service. All units are flanged and drilled to match ANSI or EN1092 flat face flange.

#### Custom:

Other resins and stud materials are available to meet exact corrosion requirements including 411 Derakane, Furan and Hastelloy.

### Fast Inspection, Easy Maintenance

Unit's rugged and lightweight design provides for easy installation, inspection and maintenance. FRP Vents should be mounted on a flat face flange, using a full-face gasket.

The S&J FRP 94069 Series Gauge Hatch has a lockdown cover option for applications where additional venting is not required. Both types have a foot pedal allowing the cover to open while a self-closing feature prevents personnel from accidentally leaving the cover open, once their foot is removed.

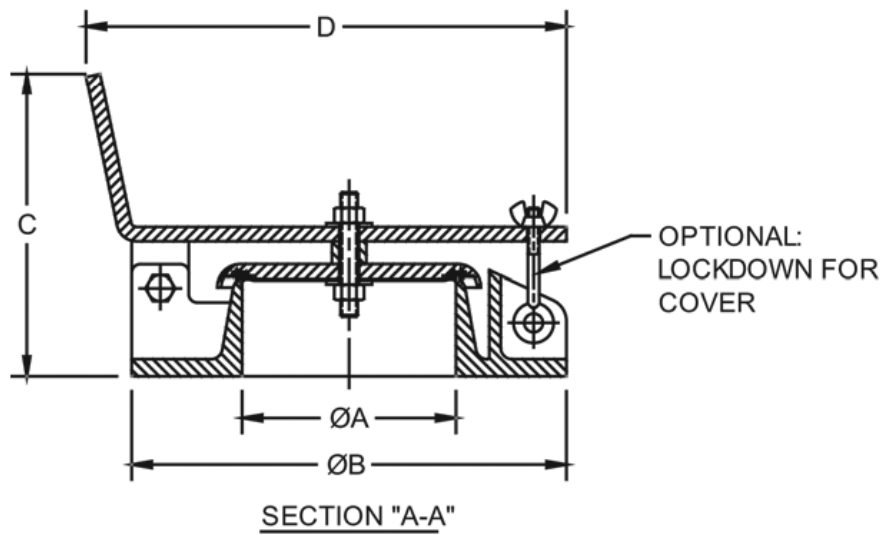
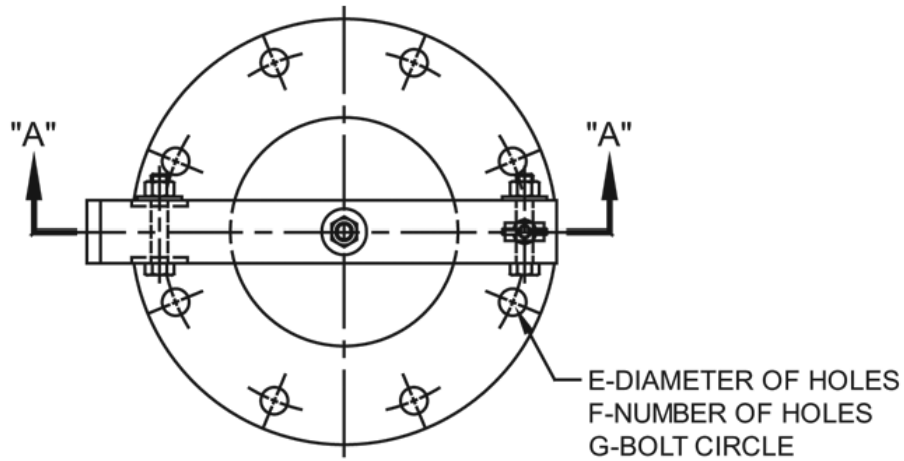
Optional: For Lock-Down design specify "manual closing" when it is more desirable to leave the cover open during inspection or maintenance procedures.



### Features

- Acids & Caustic Services
- Corrosion Resistant Fiberglass Construction
- "Air-cushion" Teflon Seal
- Automatic or Manual Closing Designs
- 470 Derakane Standard, 411 Derakane and Furan available

**Dimensions:**



Size	"A"	"B"	"C"	"D"	"E"	"F"	"G"
4"	4	9 ½	6 ⅝	10 ½	¾	8	7 ½
6"	6	11 ½	6 ⅝	12 ⅝	7/8	8	9 ½
8"	8	14	6 ⅝	15 ½	7/8	8	11 ¾

NOTE: Dimensions expressed in inches

All designs subject to change. Certified dimensions and specifications available upon request.

## 94069 Ordering Guide

### Model Number Selection

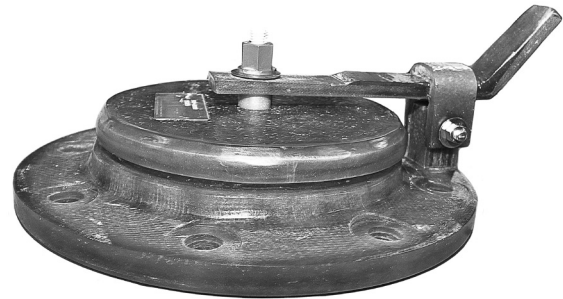
The model number will consist of a base number **94069** followed by 6 digit numbers. These digits will represent 6 sets of option tables.

**94069 - AB - CD - EF**

### Ordering Information

Specify:

1. Model 94069 Fiberglass Reinforced Plastic Gauge Hatch
2. Size
3. Material
4. Flange Type
5. Gauge Type
6. Pressure Setting for standard design
7. Temperature Range
8. To specify CE for ordinary locations use 94069C AB CD EF.



**Table A - Hardware**

Option A	Hardware
0	Fiberbolt/Nut, 316 SS Exterior (Std.)
1	Hastelloy C Wetted Parts, 316 SS Exterior
2	Hastelloy C

**Table B - Size**

Option B	Size
4	4"
6	6"
8	8"

**Table C - Body Construction**

Option C	Body Construction
0	Standard
1	Corrosion Barrier
2	Corrosion Barrier with Encapsulated Weights

**Table D - Material**

Option D	Body Material
1	411 Derakane
2	470 Derakane
3	Furan

**Table E - Flange Type**

Option E	Flange Type
0	ANSI 125/150 lb.
1	EN1092 PN16
2	EN1092 PN10

**Table F - Gauge Type**

Option F	Gauge Type
1	Standard-Auto Closing
2	Lock-Down
3	Lock-Down Manual Closing

Pressure Setting for standard design hatch:  
Pressure: 0.5 oz./in.<sup>2</sup> (Standard)

Maximum Pressure:  
Sizes 4", 6" : 8 oz./in.<sup>2</sup>  
8" : 4 oz./in.<sup>2</sup>  
(Higher set points available, C.F.)

Standard Weights are resin coated lead.

Maximum Pressure for Lock-Down design hatch: 1 PSIG