

## 94130 Pressure Relief Vent (Open or Closed Vent Option)

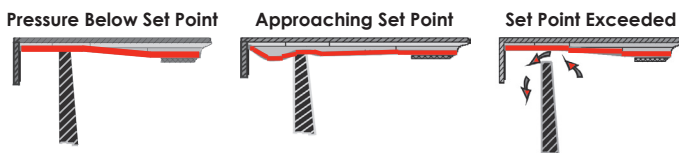
The Shand & Jurs 94130 Pressure Relief Vent is designed to provide pressure relief with high efficiency, maximum flow capacity and minimum leakage. The easily serviceable configuration and light weight construction reduces maintenance and installation costs. A variety of construction materials are available as part of the standard design which are ideally suited for highly corrosive and toxic product applications.

For dependable performance, Shand & Jurs Pressure Relief Vents utilize pressure pallets that are both peripherally and center stem guided. The standard diaphragm is "Air Cushion Seated" and constructed of teflon for high resistance to adhesion of ice and gum formation. A range of sizes and configurations, such as closed vent hood and flame snuffers are available. Standard pressure setting is 0.5 oz/in<sup>2</sup>.

### Expanda-Seal

Shand & Jurs "Expanda-Seal" option is available on all pressure pallet assemblies. This feature significantly reduces leakage. The ballooning effect of the Teflon diaphragm effectively seals the valve.

The "Expanda-Seal" feature ensures less than 0.5 SCFH of air at 95% of the set point.



Open Vent Configuration



Closed Vent Configuration

## Features

- Reduced need for special materials in corrosive and extreme temperature
- Peripheral and stem guided pressure pallet assures smooth lift and closure
- Positive seal and minimal blow down
- Capacity certified to API standards
- Reduced maintenance and installation costs
- "All Weather" Teflon coating available
- Insulation Jackets available
- Steam Jackets available

## Specifications

### Sizes:

2", 3", 4", 6", 8", 10" & 12"

### \*Maximum Setting:

24 oz/in<sup>2</sup>

### Standard Setting:

0.5 oz/in<sup>2</sup> (0.86 in. W.C.)

### Expanda-Seal Pressure Setting:

1.5 oz/in<sup>2</sup> Minimum  
(Consult Factory for lower settings)

### Temperature Range:

Body and Seal Options for Process Temperature  
Ranges from -300°F to 500°F

Raised face (except Aluminum) or flat face flange  
available; compatible with ANSI 125/150 lb. EN1092-  
1 and JIS 10K flanges available.

\* Varied by valve size and weight material. Please consult factory for  
particular valve size and weight material.

## Materials of Construction

### Body:

Cast Aluminum, Cast Steel, Cast Iron, Ductile Iron or  
316 Stainless Steel

### Closed Vent Cover:

Aluminum, Steel or Stainless Steel

### Pallet:

Aluminum or Stainless Steel

### Seat:

Aluminum or Stainless Steel (Field Replaceable)

### Stem & Guide Posts:

Aluminum, Galvanized Steel, Galvanized Iron or  
Stainless Steel

### Screen:

Galvanized Steel or Stainless Steel

### Diaphragm:

FEP Teflon, PTFE, Viton, Buna N

### Back-up Disc:

N-8090 Fiber, Glass Filled Teflon (GPTFE)

### Closed Vent Cover Gasket:

N-8090 Fiber, Glass Filled Teflon (GPTFE), Viton, Buna N

\* Table D Option 5 for same size inlet and outlet connections has been  
Obsoleted and Replaced by Table D Option 6. Option 5 and 6 dimensions  
do not match. Consult factory if replacement valve is required.

## Standard Materials of Construction

Service	Body	Open Vent Hood		Seat		Pallets	Stem Guide Tube	Screen	Side Guides
		2, 3, 4, 6 & 8	10 & 12	2, 3, 4	6, 8, 10 & 12				
Norm. Alum.	Cast Alum.	18-8 SS	Alum.	Alum.	Alum.	Alum.	Galv. Steel	Galv. Steel	316 SS
Cyro Low Temp.	Cast Alum.	Alum.	Alum.	Alum.	Alum.	Alum.	316SS	304 SS	316 SS
Severe Iron	CI/DI	18-8 SS	Alum.	316 SS	316 SS	316 SS	Galv. Steel	304 SS	316 SS
Severe Steel	Cast Steel	18-8 SS	Alum.	316 SS	316 SS	316 SS	Galv. Steel	304 SS	316 SS
Severe 316SS	Cast 316 SS	316 SS	316 SS	316 SS	316 SS	316 SS	316 SS	316 SS	316 SS

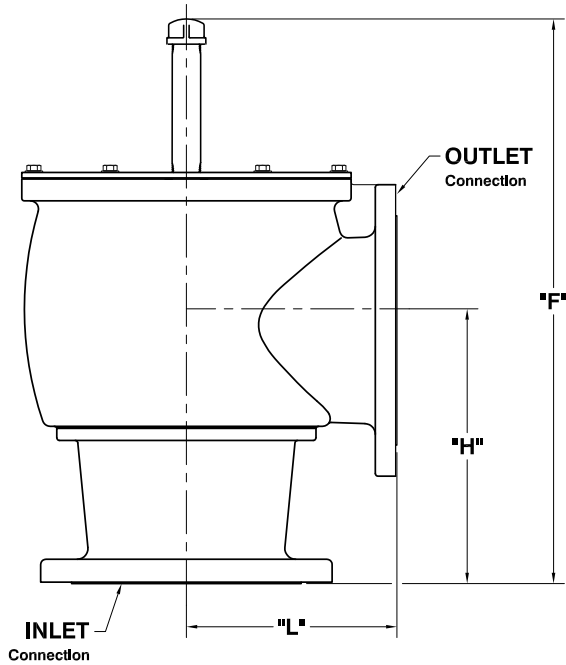
Service	Pallet Stem Pressure Side	Diaphragm	Closed Vent Cover		Cover Gaskets	Hardware
			2, 3, 4	6, 8, 10 & 12		
Norm. Alum.	316 SS	FEP	Aluminum	Aluminum	N-8090	Stainless Steel
Cyro Low Temp.	316 SS	FEP	Aluminum	Aluminum	N-8090	316 SS
Severe Iron	316 SS	FEP	Steel	Steel	N-8090	316 SS
Severe Steel	316 SS	FEP	Steel	Steel	N-8090	Stainless Steel
Severe 316 SS	316 SS	FEP	316 SS	316 SS	N-8090	316 SS

N-8090 = Nitrile Fiber Composition FEP = Teflon CI = Cast Iron DI = Ductile Iron

# 94130 Pressure Relief Vent



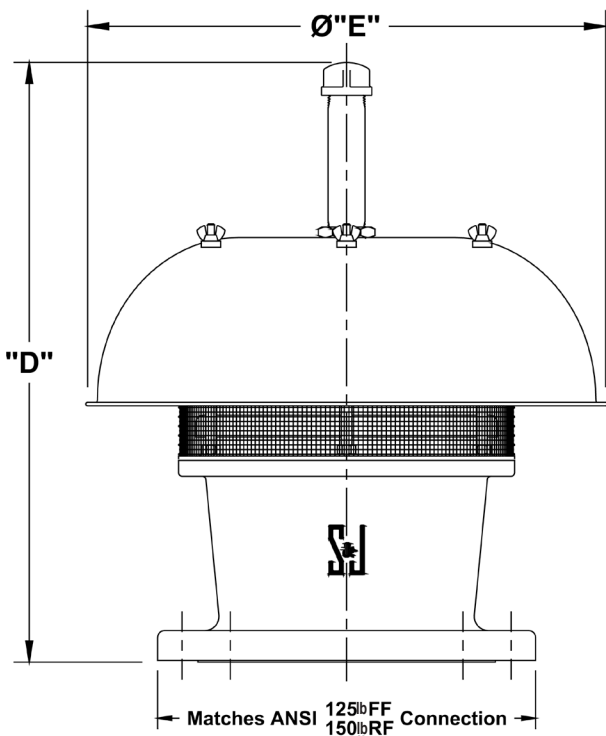
## 94130 Closed Vent



Vent Size	"F"	"H"	"L"
2" x 2"	11 ¼"	5 ½"	4 ¼"
2" x 3"	11 ⅛"	5 ½"	4 ¼"
3" x 3"	13 ¼"	5 ⅞"	5 ¼"
3" x 4"	13 ¾"	5 ¾"	5 ¼"
4" x 4"	20 ¾"	7"	6 ½"
4" x 6"	15 ¾"	7 ½"	5 ⅞"
6" x 6"	21 ¼"	9 ⅜"	8 ⅜"
6" x 8"	21 ¼"	10 ⅞"	8 ¼"
8" x 8"	25 ½"	11 ⅞"	9 ¾"
8" x 10"	26 ⅜"	12 ⅞"	9 ¾"
10" x 10"	30"	13 ⅞"	11 ⅞"
10" x 12"	30 ¼"	14 ⅞"	11 ⅞"
12" x 12"	33 ⅞"	16 ¼"	12 ⅞"
12" x 14"	33 ⅞"	16 ⅞"	12 ⅞"

All designs subject to change. Certified dimensions and specifications available upon request.

## 94130 Open Vent



Vent Size	"D"	Diameter "E"
2"	11 ⅞"	12 ⅞"
3"	13 ¾"	13 ⅞"
4"	15 ¾"	15 ⅞"
6"	18 ¾"	18 ⅞"
8"	21 ¼"	18 ⅞"
10"	28 ⅞"	25 ⅞"
12"	32 ¼"	29 ⅞"

All designs subject to change. Certified dimensions and specifications available upon request.



## 94130 Ordering Guide

### Model Number Selection

The model number will consist of a base number **94130** followed by 8 digit numbers. These digits will represent 6 option tables.

**94130 - AB - CD - EF - GH**

### Ordering Information

Specify:

1. Model 94130 Pressure Relief Vent
2. Size and Body Material
3. Type of Venting
  - A) Open Vent
  - B) Closed Vent
4. Pressure Setting Required
5. Cleaning for Oxygen Service or Other Special Cleaning
6. Optional Materials of Construction, If Required
7. To Specify CE for Ordinary EU Locations use 94130C AB CD EF GH
8. To Specify ATEX Certification for Group IIB, IIA EU Locations use 94130A AB CD EF GH.  
ATEX Certification Includes CE Mark.



### Table AB - Size and Material

Option AB	Size	Body Material
12	2"	Aluminum
22	2"	Aluminum w/ Cryo Hood
32, 72	2"	Cast Iron, Ductile Iron
62	2"	316 Stainless Steel
52	2"	Steel
14	3"	Aluminum
24	3"	Aluminum w/ Cryo Hood
34, 74	3"	Cast Iron, Ductile Iron
64	3"	316 Stainless Steel
54	3"	Steel
15	4"	Low Copper Cast Alum.
25	4"	Aluminum w/ Cryo Hood
35, 75	4"	Cast Iron, Ductile Iron
65	4"	316 Stainless Steel
55	4"	Steel
16	6"	Aluminum
26	6"	Aluminum w/ Cryo Hood
36, 76	6"	Cast Iron, Ductile Iron

Option AB	Size	Body Material
66	6"	316 Stainless Steel
56	6"	Steel
17	8"	Aluminum
27	8"	Aluminum w/ Cryo Hood
37, 77	8"	Cast Iron, Ductile Iron
67	8"	316 Stainless Steel
57	8"	Steel
18	10"	Aluminum
28	10"	Aluminum w/ Cryo Hood
38, 78	10"	Cast Iron, Ductile Iron
68	10"	316 Stainless Steel
58	10"	Steel
19	12"	Aluminum
29	12"	Aluminum w/ Cryo Hood
39, 79	12"	Cast Iron, Ductile Iron
69	12"	316 Stainless Steel
59	12"	Steel

### Table C - Flange Type

Option C	Flange Type
0	ANSI 125/150lb. FF
1	ANSI 125/150lb. RF*
2	EN1092-1 PN16 FF
3	EN1092-1 PN16 RF*
4	JIS 10K FF
5	JIS 10K RF*

\* RF not available in ALUM

### Table D - Vent Type

Open Vent Option	Closed Vent Option
1	3, 6

3 = Standard; Outlet > Inlet (Outlet is one size larger than Inlet, ex. 2" X 3")

6 = Same Size Inlet, Outlet & Seat

**NOTE:** Option 5 replaced by Option 6. Dimensions are not identical.

### Table G - Seat & Pallet Material

Option G	Seat	Pallet
0	Standard*	Standard*
+1	Teflon	Standard*
2	Aluminum	Standard*
4	Stainless Steel	Standard*
5	Teflon Coated SS	Standard*
A	Standard*	316 Stainless Steel
+B	Teflon	316 Stainless Steel
C	Aluminum	316 Stainless Steel
E	Stainless Steel	316 Stainless Steel
F	Teflon Coated SS	316 Stainless Steel

\*Refer to Materials of Construction

+ These Options not Available with ATEX Models

### Table E - Seal Type and Softgoods

Option E	Seal Type
0	Normal FEP / N8090
1	Expanda-Seal FEP / N8090
2	Normal FEP (All)
3	Expanda-Seal FEP (All)
4	Normal Viton
5	Expanda-Seal Viton
6	Normal PTFE
8	Normal Buna-N
9	Expanda-Seal Buna-N

### Table H - Trim

Option H	Description
0	Normal
1	Stainless Steel Trim

Trim includes Stem, Stem Guide, Side Guides, Nuts, Bolts, and Screen.  
For an ATEX Certified Valve choose Option H1.

### Table F - Pressure Range & Load Weight Material

Option F	Description	Material
0	**Standard Pressure Setting = 0.5 oz/in <sup>2</sup>	Lead
1	>Standard to 2.9 oz/in <sup>2</sup>	Lead
2	Over 2.9 oz/in <sup>2</sup>	Lead
4	**Standard Setting	316 Stainless Steel
5	Over 2.9 oz/in <sup>2</sup>	316 Stainless Steel
6	> Standard to 2.9 oz/in <sup>2</sup>	316 Stainless Steel

\*\*Expanda-Seal min. pressure setting: 1.5 oz/in<sup>2</sup>