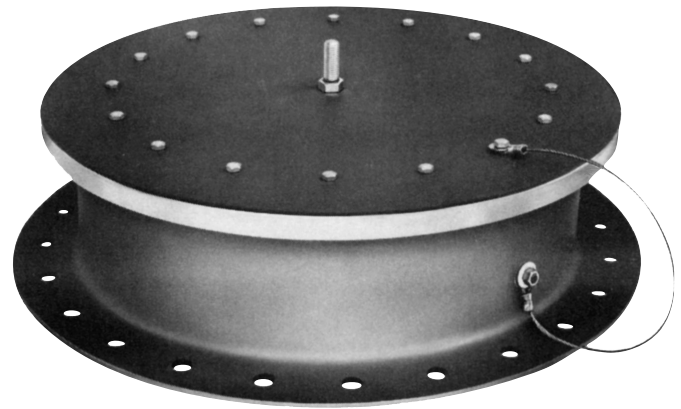


94200 Emergency Vent and Manhole Cover

The Shand & Jurs 94200 Emergency Vent and Manhole Cover is an economical solution to present day emergency venting requirements. It is designed to relieve excessive internal pressure in liquid storage tanks. Its economical price provides excellent protection against costly tank roof rupture repair. The sizes are 16", 20", 24", 30" and 36" ANSI connections and 20" and 24" API roof manhole connections.

The 94200 is available with low base for liquid overflow. When specified, elongated guides and special stops can be provided to limit pallet lift. The pallet guide is deep enough to assure proper reseating of pallet after pressure relieving at lower overpressures. Pallet will reseat when tank pressure drops below set pressure.

For tank venting or examination, the pallet may be removed off its base offering a clear unobstructed passage. A retaining cable is provided to fasten the pallet to the base.



Features

- Easy installation, convenient handling
- Tank examination requires no gasket replacement or unbolting
- Manhole opening available in 16", 20", 24", 30", & 36"
- Materials include Aluminum, Steel & 316 Stainless Steel
- ATEX Certification available for hazardous locations
- CE Certifications available for ordinary locations

Specifications

Pressure Setting:

Standard for Aluminum Pallet:
 16" - 24" - 0.865 oz./in.²; 30" & 36" - 1.1 oz./in.²
 Standard for Stainless Steel & Carbon Steel Pallet:
 16"-1.6 oz./in.²; 20" - 36" - 1.5 oz./in.²

Standard Maximum:
 6.0 oz./in.² for 24" - 36" size
 8.0 oz./in.² for 16" & 20" sizes
 Higher settings available

Materials of Construction

Base:

Steel, Aluminum and 316 Stainless Steel available

Diaphragm Seat:

Same as base, Inlaid Stainless Steel on Steel base

Diaphragm:

FEP Teflon, PTFE, Viton, or BUNA

Back-Up Disc:

Reinforced fiber composition

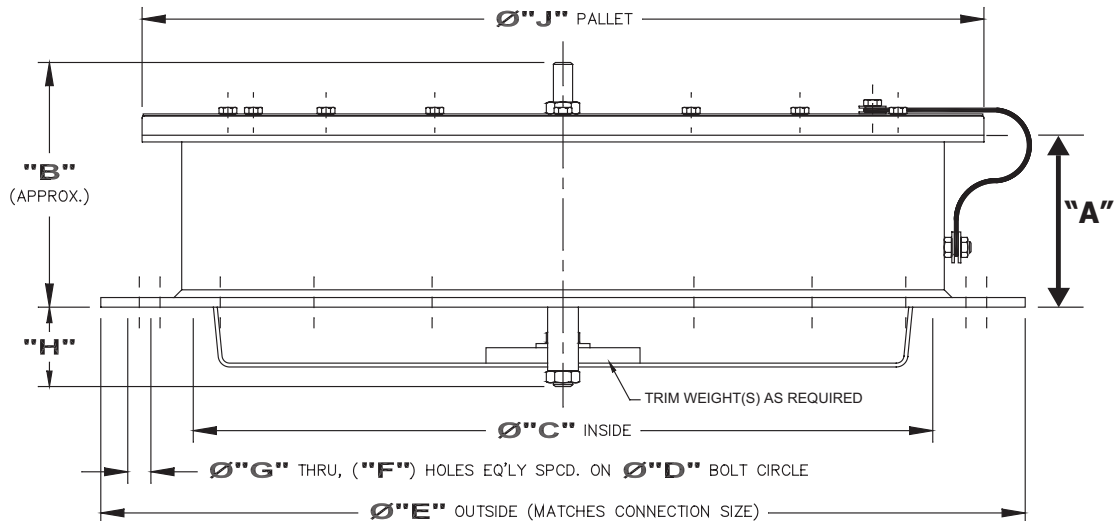
Standard Materials of Construction			
Pallet	Aluminum	Steel	316 SS
Hardware	Steel	Steel	316 SS
Load Weight*	Steel/Lead	Steel/Lead	Steel/Lead

*316 SS Weights Available

Dimensions

Vent Size	Connection Matching Size	"B" Note 1	"C"	"D" Bolt Circle	"E"	"F" Holes	"G"	"H" Max	"J" Pallet
16"	16" 125#/150# ANSI	8 5/16	16	21 1/4	23 1/2	16	1 1/8	0	18 3/4
20"	20" 125#/150# ANSI	9 1/4	20	25	27 1/2	20	1 1/4	3	23 5/16
20"	24" 125#/150# ANSI	9 1/4	20	29 1/2	32	20	1 3/8	3	23 5/16
24"	24" 125#/150# ANSI	9 1/4	24	29 1/2	32	20	1 3/8	3	27 5/16
30"	30" 125# ANSI	9 1/4	30	36	38 3/4	28	1 3/8	5	33 5/8
36"	36" 125# ANSI	9 1/4	36	42 3/4	46	32	1 5/8	7	40 3/4
20"	20" API Roof Manhole	9 1/4	20	23 1/2	26	16	3/4	3	23 5/16
20"	24" API Roof Manhole	9 1/4	20	27 1/2	30	20	3/4	3	23 5/16
24"	24" API Roof Manhole	9 1/4	24	27 1/2	30	20	3/4	3	27 5/16

"A" = 6 1/4" for High and Limited Lift Base "A" = 2 1/8" for Low Base "H" = 3 1/2 for Low Base
 NOTE 1. ACTUAL HEIGHT DEPENDANT ON SET POINT.



All designs subject to change. Certified dimensions and specifications available upon request

94200 Ordering Guide

Model Number Selection

The model number will consist of a base number **94200** followed by 8 digit numbers. These digits will represent 7 option tables.

94200 - AB - CD - EF - GH

Ordering Information

Specify:

1. Model 94200 Emergency Vent & Manhole Cover
2. Size and Body and Pallet Material
3. Pressure Set Point
4. Flange Type
5. Cleaning
6. To specify CE for Ordinary EU Locations use Table H2 or H3
7. ATEX Certification for Group IIB, IIA EU Locations, use Table H4 or H5

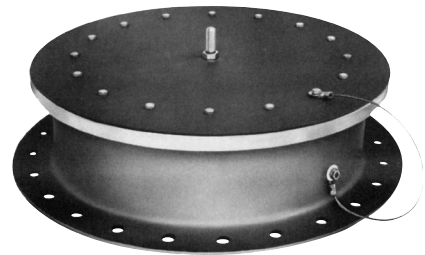


Table A - Base Material

Option A	Material
1	Steel
3	Aluminum
5	316 Stainless Steel

Table B - Base Type

Option B	Base Type
2	Standard Base
3	Limited Lift
4	Low Base

Table C - Seal Material

Option C	Diaphragm
0	Teflon
1	PTFE
2	Viton
3	Buna

Table D - Mounting Flange Size

Option D	Size	Description
1	16"	16" Opening 16" Flange
2	20"	20" Opening 20" Flange
3	20" X 24"	20" Opening 24" Flange
4	24" X 24"	24" Opening 24" Flange
5	30"	30" Opening 30" Flange
6	36"	36" Opening 36" Flange

Table EF - Pallet Selection

Option EF	Selection
01	Steel
02	Aluminum
03	316 Stainless Steel

NOTE: Make Table E Option a "2" to indicate a non-standard setting

Table H - CE/ATEX Cleaning

Option H	Cleaning
0	Standard Cleaning
1	LOX
2	CE / Standard Cleaning
3	CE / LOX Cleaning
4	ATEX / Standard Cleaning
5	ATEX / LOX Cleaning

Table G - Drilling*

Option G	Base Drilling
0	API**
1	UL142
2	ANSI
3	EN1092 PN16 FF

* Alternate Flange drilling available. Consult Factory.

** API Flange only available in 20" and 24" sizes.