

94241 Free Vent (Hooded)

The Shand & Jurs Model 94241 Free Vents are designed for use on bulk liquid storage tanks containing non-volatile liquids. The free vent is also used on vent riser pipes.

The Model 94241 Free Vent provides protection against rain, dirt, birds, insects and other foreign matter from entering storage tanks, while allowing atmosphere and vapors to flow freely. Installation is quick and easy.

This free vent is available in 2", 3", 4", 6", 8", 10", 12", 16", 18", 20", 24" and 30" sizes. The base fits 125/150 lb. ANSI or API (20" and 24" sizes) flat face flanges. Materials of construction available in steel, aluminum and stainless steel.

Specifications

Sizes:

2", 3", 4", 6", 8", 10", 12", 16", 18", 20", 24" & 30"

Flange Rating:

To match drilling of ANSI 150 lb. flat face.
EN1092-1 and JIS 10K Flange Available.

Materials of Construction*

Base:

Aluminum, Steel, 316 Stainless Steel

Stud, Nuts & Washers:

Steel, Stainless Steel or 316 Stainless Steel

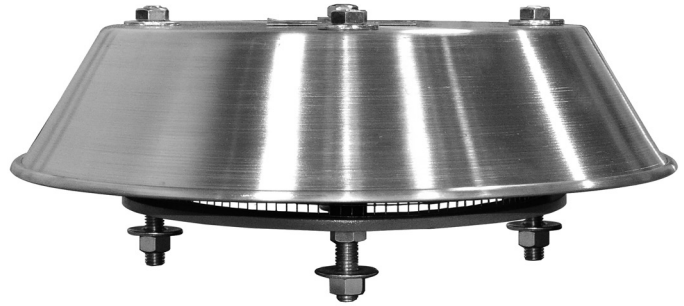
Screen:

Galvanized Steel, Stainless Steel or 316 Stainless Steel

Hood:

Aluminum or 316 Stainless Steel

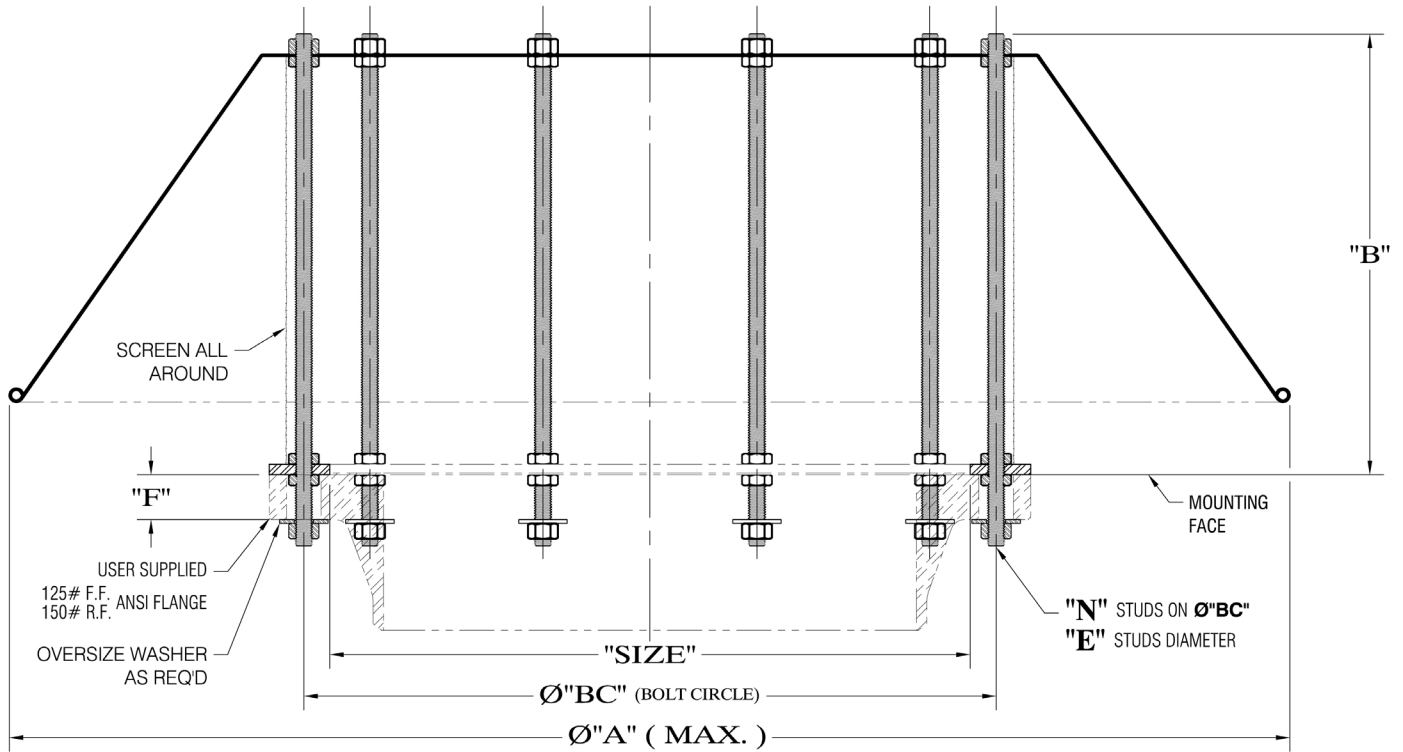
*Hardware and screen is SS with 316SS base and hood option.



Features

- Protects tank contents from foreign debris
- Quick and easy maintenance
- Available in sizes 2" through 30" ANSI FF 125/150 lb. flange
- 20" and 24" API 650 also available
- EN1092-1 and JIS flange connections available on request

Outline Dimensions



125/150 lb. ANSI Class Flange

Dimensions (2" - 30")						
Size	A	B	BC	N	E	F
2"	13 5/16	4 7/8	4 3/4	4	3/8	3/4
3"	13 1/2	4 1/4	6	4	3/8	15/16
4"	14 1/2	4 3/8	7 1/2	4	3/8	15/16
6"	* 16 1/2	* 4 7/8	9 1/2	4	1/2	1
8"	20 1/2	6 3/8	11 3/4	4	1/2	1 1/8
10"	27 3/4	7 3/8	14 1/4	6	1/2	1 3/16
12"	* 29 1/4	9 5/8	17	6	1/2	1 1/4
16"	46 1/4	16 15/16	21 1/4	8	5/8	1 7/16
18"	46 1/4	16 15/16	22 3/4	8	5/8	1 9/16
20"	46 1/4	16 15/16	25	10	5/8	1 11/16
24"	46 1/4	15 1/8	29 1/2	10	5/8	1 7/8
30"	59 7/8	15 1/8	36	14	3/4	2 15/16

* Dimensions shown are for aluminum hood option only.

All designs subject to change. Certified dimensions and specifications available upon request.

94241 Ordering Guide

Model Number Selection

The model number will consist of a base number **94241** followed by 4 digit numbers. These digits will represent 3 option tables.

94241 - AB - CD

Ordering Information

Specify:

1. Model 94241 Free Vent
2. Size Vent Required

Table AB - Size

Option AB	Description (Bolt Pattern)
04	2" ANSI 125 lb. Flat Face Flange
05	3" ANSI 125 lb. Flat Face Flange
06	4" ANSI 125 lb. Flat Face Flange
07	6" ANSI 125 lb. Flat Face Flange
08	8" ANSI 125 lb. Flat Face Flange
09	10" ANSI 125 lb. Flat Face Flange
10	12" ANSI 125 lb. Flat Face Flange
11	16" ANSI 125 lb. Flat Face Flange
12	18" ANSI 125 lb. Flat Face Flange
13	20" ANSI 125 lb. Flat Face Flange
14	24" ANSI 125 lb. Flat Face Flange
15	30" ANSI 125 lb. Flat Face Flange
*45	20" API 650 (Roof)
*46	24" API 650 (Roof)

Drilled to match ANSI 125/150 Pattern

* Drilled to match API 650 Pattern

Table C - Hardware/Screen Material

Option C	Material	
	Hardware	Screen Material
0	Zinc Plated Steel	Galvanized Steel
1	Stainless Steel	Galvanized Steel
2	Stainless Steel	Stainless Steel
3	316 Stainless Steel	316 Stainless Steel

Table D - Base, Hood/Material

Option D	Material	
	Base	Hood
0	Steel	Aluminum
1	Aluminum	Aluminum
2	316 Stainless Steel	316 Stainless Steel
3	Steel	316 Stainless Steel