

94470 Combination Conservation Vent and Deflagration Flame Arrester

The Shand and Jurs 94470 Combination Conservation Vent and Deflagration Flame Arrester is a single, easy to configure package providing for pressure and vacuum relief, as well as positive flame stop on low pressure tanks containing flammable liquids or solvents having a low flash point.

The conservation vent features cushion seated diaphragms constructed of FEP Teflon for reliability and extended service life. For high reliability, the pressure and vacuum pallets are both peripherally and center stem guided.

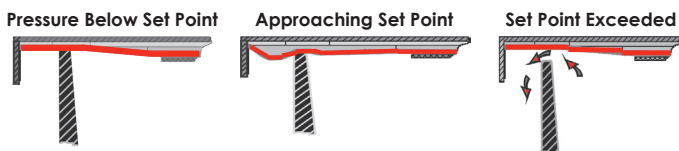
The unitized tube bank provides maximum flow while minimizing pressure drop. Both body and tube banks are available in numerous materials to meet the requirements of your site.

Temperature monitor device available. Consult Factory.

Expanda-Seal

Shand & Jurs "Expanda-Seal" option is available on all pressure pallet assemblies. This feature significantly reduces leakage. The ballooning effect of the Teflon diaphragm effectively seals the valve.

The "Expanda-Seal" feature ensures less than .5 SCFH of air at 95% of the set point.



Features

- ISO 16852 Approved
- ATEX EN 12874 approved
- Cost effective, dual purpose
- Provides pressure & vacuum relief
- Serves as a barrier between external flame and internal vapors
- Provides protection against flame propagation
- Open or closed vent configurations
- Sizes 2" (50 mm) thru 12" (300 mm) ANSI, EN1092-1, JIS

Specifications

Sizes:

2", 3", 4", 6", 8", 10" and 12"

Standard Pressure & Vacuum Settings:

1/2 oz/in² (.865 in.W.C.)

Expanda-Seal Pressure Setting:

1.5 oz/in² Minimum (Consult Factory for lower settings)

Standard Maximum Setting w/o Modification:

	(Pressure)	(Vacuum)
2":	18 oz/in ²	8 oz/in ²
3":	18 oz/in ²	9 oz/in ²
4":	18 oz/in ²	11 oz/in ²
6":	12 oz/in ²	12 oz/in ²
8":	10 oz/in ²	14 oz/in ²
10":	8 oz/in ²	17 oz/in ²
12":	6 oz/in ²	20 oz/in ²

Maximum Setting w/ Modification:

	(Pressure)	(Vacuum)
2"-6":	24 oz/in ²	Consult Factory
8"-12":	20 oz/in ²	Consult Factory

Service and Body Material:

Normal:	Cast Low Copper Aluminum
Low Temperature:	Cast Low Copper Aluminum
Severe:	Cast Iron, Ductile Iron, Cast Steel, Cast 316 Stainless Steel
Integral Seats:	Same as body; Aluminum, 316 Stainless Steel, Cast Steel with 316 Stainless Steel Seat Overlay.
Replaceable Seats:	316 Stainless Steel for Cast Iron and Ductile Iron Bodies.

Approvals:

ATEX 94/4/EC and EN 12874, ISO 16852 (Short Term Burn)

NOTE: Aluminum and Cast Iron bodies are only approved for ISO 16852

Gas Application:

IIA (NEC Group D)

Type of Flange Connection:

NPT or Flanged for: 2" & 3" sizes
 Flanged for: 4", 6", 8", 10" & 12" sizes
 Raised face flange available, except for aluminum body material.

Temperature Range:

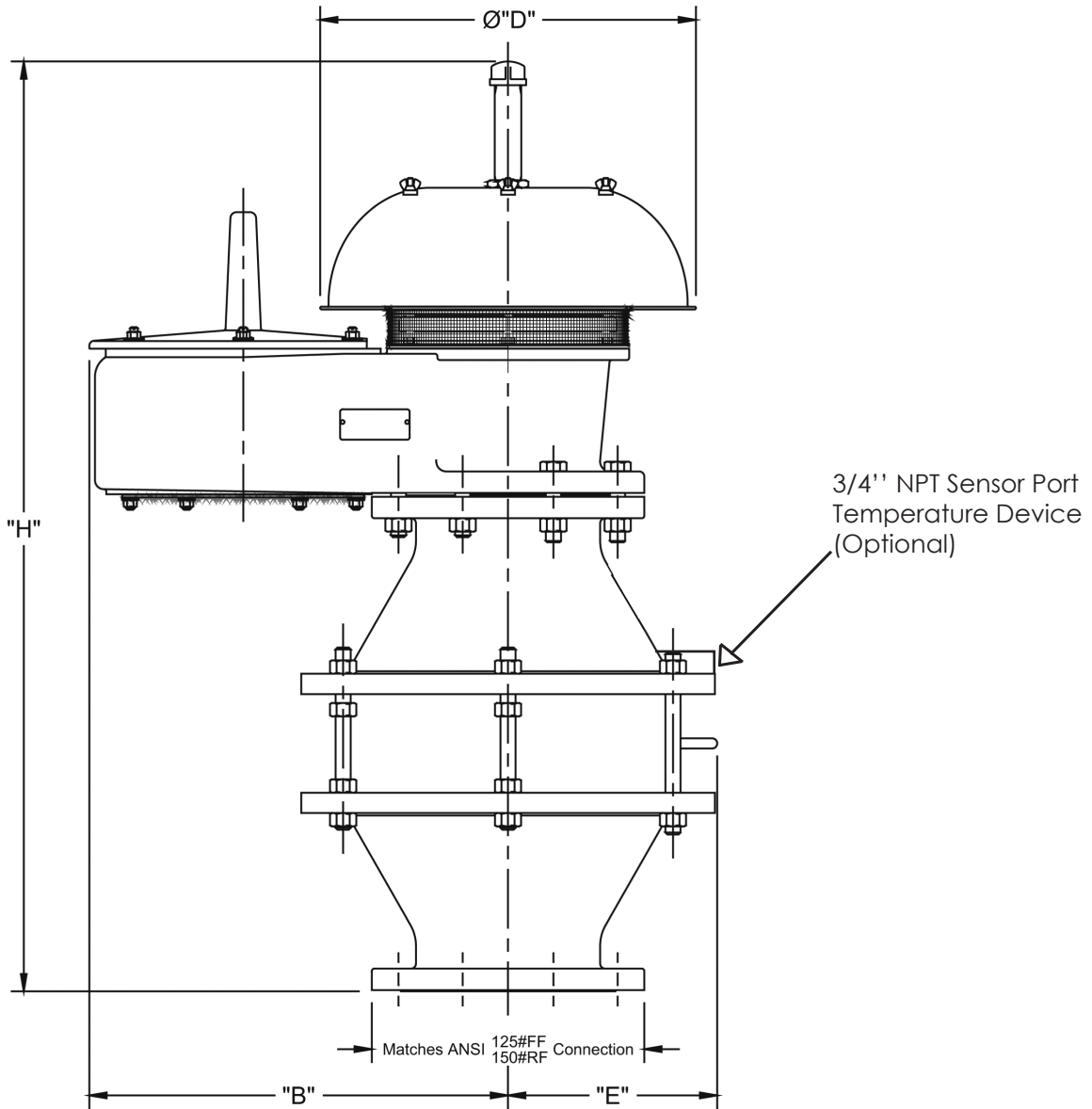
Body and Seal: -40°F to 140°F (-20°F Steel)

Materials of Construction

Component	Normal Aluminum		Severe		
	Normal Aluminum	Low Temperature	Cast Iron / Ductile Iron	Carbon Steel	316 Stainless Steel
Body	Cast Aluminum	Cast Aluminum	Cast Iron / Ductile Iron	Carbon Steel	316 Stainless Steel
Cover	Cast Aluminum	Cast Aluminum	Carbon Steel	Carbon Steel	316 Stainless Steel
Hood	18-8 Stainless Steel ¹	Aluminum ²	18-8 Stainless Steel ¹	18-8 Stainless Steel ¹	316 Stainless Steel
Seats ³	Aluminum	Aluminum	316 Stainless Steel	316 Stainless Steel	316 Stainless Steel
Stem Guide	Stainless Steel	316 Stainless Steel	Galvanized Iron	Galvanized Iron	316 Stainless Steel
Pallets	Aluminum	Aluminum	316 Stainless Steel	316 Stainless Steel	316 Stainless Steel
Pressure Stem	316 Stainless Steel	316 Stainless Steel	316 Stainless Steel	316 Stainless Steel	316 Stainless Steel
Vacuum Stem	Aluminum ⁴	Aluminum ⁴	316 Stainless Steel	316 Stainless Steel	316 Stainless Steel
Screens	304 Stainless Steel	304 Stainless Steel	304 Stainless Steel	304 Stainless Steel	316 Stainless Steel
Retainer	Aluminum	Aluminum	316 Stainless Steel	316 Stainless Steel	316 Stainless Steel
Hardware	18-8 Stainless Steel	316 Stainless Steel	316 Stainless Steel	18-8 Stainless Steel	316 Stainless Steel
Diaphragms	FEP Teflon, PTFE, Viton, Buna-N	FEP, PTFE	FEP Teflon, PTFE, Viton, Buna-N	FEP Teflon, PTFE, Viton, Buna-N	FEP Teflon, PTFE, Viton, Buna-N

- NOTES:**
1. 18-8 Stainless Steel for 2", 3", 4", 6" & 8" sizes; spun alum. for 10" & 12" sizes.
 2. 2", 3", 4", 6", 8", 10" & 12" sizes; Aluminum enclosure w/flapper.
 3. Material same as body except Cast Iron and Ductile Iron.
 4. 316 Stainless Steel for elevated settings.

Outline Dimensions



Vent Size	"B"	"D"	"E"	"H"
2"	8 13/16	12 7/8	7 5/8	26 5/16
3"	11 3/16	13 9/16	8 5/16	29 7/16
4"	13 9/16	15 15/16	6 13/16	33 11/16
6"	16 11/16	18 5/8	8 1/4	38 11/16
8"	20 1/2	18 5/8	10 1/4	45 13/16
10"	24 11/16	25 9/16	12 1/4	57 1/16
12"	29 1/16	29 7/8	14 3/8	65 3/16

Dimensions in inches unless otherwise stated.

All designs subject to change. Certified dimensions and specifications available upon request.

94470 Ordering Guide

Model Number Selection

The model number will consist of a base number **94470** followed by 8 digit numbers. These digits will represent 6 option tables.

94470 - AB - CD - EF - GH

Ordering Information

Specify:

1. Size and Body Material
2. Type of Flange
3. Tube Bank and Hardware Material
4. Closed or Open Vent
5. Pressure and Vacuum Settings (If not Standard)
6. Optional materials of Construction or Coatings, if required

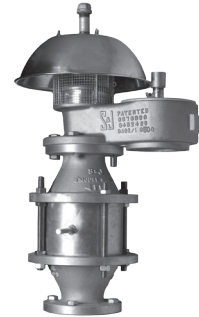


Table AB - Size, Body Material & Connections*

Option AB	Size	Type of Connection	Material
11	2"	NPT	Aluminum
12	2"	Flanged	Aluminum
21	2"	NPT	Aluminum Cryo Hood
22	2"	Flanged	Aluminum Cryo Hood
31/41	2"	NPT	Cast Iron / Ductile Iron
32/42	2"	Flanged	Cast Iron / Ductile Iron
51	2"	NPT	Carbon Steel
52	2"	Flanged	Carbon Steel
71	2"	NPT	316 Stainless Steel
72	2"	Flanged	316 Stainless Steel
13	3"	NPT	Aluminum
14	3"	Flanged	Aluminum
23	3"	NPT	Aluminum Cryo Hood
24	3"	Flanged	Aluminum Cryo Hood
33/43	3"	NPT	Cast Iron / Ductile Iron
34/44	3"	Flanged	Cast Iron / Ductile Iron
53	3"	NPT	Carbon Steel
54	3"	Flanged	Carbon Steel
73	3"	NPT	316 Stainless Steel
74	3"	Flanged	316 Stainless Steel
15	4"	Flanged	Aluminum
25	4"	Flanged	Aluminum Cryo Hood

Option AB	Size	Type of Connection	Material
35/45	4"	Flanged	Cast Iron / Ductile Iron
55	4"	Flanged	Cast Steel
75	4"	Flanged	316 Stainless Steel
16	6"	Flanged	Aluminum
26	6"	Flanged	Aluminum Cryo Hood
36/46	6"	Flanged	Cast Iron / Ductile Iron
56	6"	Flanged	Carbon Steel
76	6"	Flanged	316 Stainless Steel
17	8"	Flanged	Aluminum
27	8"	Flanged	Aluminum Cryo Hood
37/47	8"	Flanged	Cast Iron / Ductile Iron
57	8"	Flanged	Carbon Steel
77	8"	Flanged	316 Stainless Steel
18	10"	Flanged	Aluminum
28	10"	Flanged	Aluminum Cryo Hood
38/48	10"	Flanged	Cast Iron / Ductile Iron
58	10"	Flanged	Carbon Steel
78	10"	Flanged	316 Stainless Steel
19	12"	Flanged	Aluminum
29	12"	Flanged	Aluminum Cryo Hood
39/49	12"	Flanged	Cast Iron / Ductile Iron
59	12"	Flanged	Carbon Steel
79	12"	Flanged	316 Stainless Steel

NOTE: Aluminum and Cast Iron bodies are only approved for ISO 16852.
*OTHER MATERIAL COMBINATIONS AVAILABLE.

Table C - Flange Type

Option C	Flange
0	ANSI 125/150 lb. FF
1	ANSI 125/150 lb. RF*
2	EN1092-1 PN 16 FF
3	EN1092-1 PN 16 RF*
4	JIS 10K FF
5	JIS 10K RF*
6	EN1092-1 PN10 FF
7	EN1092-1 PN10 RF*

*Raised face flanges not available with aluminum bodies

Table D - Vent Type

Option D	Vent Type
1	Open Vent
3	Closed, Standard Outlet > Inlet
4	Pipe Away, P&V
6	Pipe Away, Same Size in, out, Seat

Max Set Points

SIZE	BARG	PSIG	OZ./IN. ²
2"-6"	0.1	1.5	24
8"-12"	.09	1.25	20

Table E - Seal Type & Softgoods

Option E	Description
0	Normal FEP Teflon / N8090
1	Expanda-Seal FEP Teflon/N8090
2	Normal FEP Teflon (all)
3	Expanda-Seal FEP Teflon (all)
4	Normal Viton (all)
5	Expanda-Seal Viton (all)
6	Normal PTFE - Maximum 500°F (all)
8	Normal Buna
9	Expanda-Seal Buna

N8090 - Nitrile Fiber Composite

Table F - Pressure Range

Option F	Description	Material
1	**Standard Pressure and Vacuum Setting = 0.5 oz/in ²	Lead
2	Over 2.9 oz/in ² to 5.0 oz/in ²	Lead
3	Standard to 2.9 oz/in ²	Lead
4	Standard Setting	316 Stainless Steel
5	Over 2.9 oz/in ² to 5.0 oz/in ²	316 Stainless Steel
6	Standard to 2.9 oz/in ²	316 Stainless Steel
7	Over to 5.0 oz/in ² to max	Lead
8	Over to 5.0 oz/in ² to max	316 Stainless Steel

**Expanda- Seal Pressure Setting - 1.5 oz./sq. in. Minimum.

Table GH - FA Body, Tube Bank & Hardware Material*

Option GH	Size (Inches)	Body Material	Tube Bank Material Shell / Element	Hardware Material
30	2	Cast Aluminum	Carbon Steel / 304 Stainless Steel	304 Stainless Steel
32			316 Stainless Steel / 316 Stainless Steel	316 Stainless Steel
30	3	Cast Aluminum	Carbon Steel / 304 Stainless Steel	304 Stainless Steel
32			316 Stainless Steel / 316 Stainless Steel	316 Stainless Steel
30	4	Cast Aluminum	Carbon Steel / 304 Stainless Steel	304 Stainless Steel
32			316 Stainless Steel / 316 Stainless Steel	316 Stainless Steel
30	6	Cast Aluminum	Carbon Steel / 304 Stainless Steel	304 Stainless Steel
32			316 Stainless Steel / 316 Stainless Steel	316 Stainless Steel
30	8	Cast Aluminum	Carbon Steel / 304 Stainless Steel	304 Stainless Steel
32			316 Stainless Steel / 316 Stainless Steel	316 Stainless Steel
30	10	Cast Aluminum	Carbon Steel / 304 Stainless Steel	304 Stainless Steel
32			316 Stainless Steel / 316 Stainless Steel	316 Stainless Steel
30	12	Cast Aluminum	Carbon Steel / 304 Stainless Steel	304 Stainless Steel
32			316 Stainless Steel / 316 Stainless Steel	316 Stainless Steel

NOTE: Aluminum and Cast Iron bodies are only ISO 16852 approved.

Table GH - FA Body, Tube Bank & Hardware Material*

Option GH	Size (Inches)	Body Material	Tube Bank Material Shell / Element	Hardware Material
50, 40	2	Cast Iron, Ductile Iron	Carbon Steel / 304 Stainless Steel	304 Stainless Steel
00		Carbon Steel	Carbon Steel / 304 Stainless Steel	304 Stainless Steel
22		316 Stainless Steel	316 Stainless Steel / 316 Stainless Steel	316 Stainless Steel
50, 40	3	Cast Iron, Ductile Iron	Carbon Steel / 304 Stainless Steel	304 Stainless Steel
00		Carbon Steel	Carbon Steel / 304 Stainless Steel	304 Stainless Steel
22		316 Stainless Steel	316 Stainless Steel / 316 Stainless Steel	316 Stainless Steel
50, 40	4	Cast Iron, Ductile Iron	Carbon Steel / 304 Stainless Steel	304 Stainless Steel
00		Carbon Steel	Carbon Steel / 304 Stainless Steel	304 Stainless Steel
22		316 Stainless Steel	316 Stainless Steel / 316 Stainless Steel	316 Stainless Steel
50, 40	6	Cast Iron, Ductile Iron	Carbon Steel / 304 Stainless Steel	304 Stainless Steel
00		Carbon Steel	Carbon Steel / 304 Stainless Steel	304 Stainless Steel
22		316 Stainless Steel	316 Stainless Steel / 316 Stainless Steel	316 Stainless Steel
50, 40	8	Cast Iron, Ductile Iron	Carbon Steel / 304 Stainless Steel	304 Stainless Steel
00		Carbon Steel	Carbon Steel / 304 Stainless Steel	304 Stainless Steel
22		316 Stainless Steel	316 Stainless Steel / 316 Stainless Steel	316 Stainless Steel
50, 40	10	Cast Iron, Ductile Iron	Carbon Steel / 304 Stainless Steel	304 Stainless Steel
00		Carbon Steel	Carbon Steel / 304 Stainless Steel	304 Stainless Steel
22		316 Stainless Steel	316 Stainless Steel / 316 Stainless Steel	316 Stainless Steel
50, 40	12	Cast Iron, Ductile Iron	Carbon Steel / 304 Stainless Steel	304 Stainless Steel
00		Carbon Steel	Carbon Steel / 304 Stainless Steel	304 Stainless Steel
22		316 Stainless Steel	316 Stainless Steel / 316 Stainless Steel	316 Stainless Steel

* Other Material Combinations Available.