

94580 Combination Emergency Vent & Flame Arrester

The Shand and Jurs 94580 Combination Emergency Vent & Flame Arrester is a single, easy to configure package, providing for emergency pressure venting as well as positive flame stop on low pressure tanks containing flammable liquids or solvents having a low flash point.

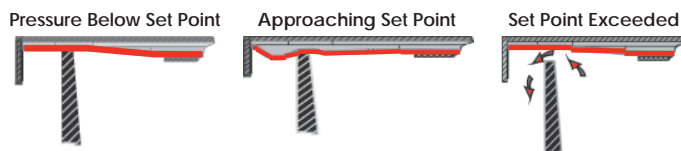
The magnetically latched emergency vent provides lightweight, cost effective emergency venting.

The unitized tube bank provides maximum flow while minimizing pressure drop and is designed for NEC Group D vapor applications. Both body and tube banks are available in numerous materials to meet the requirements of your site.

Expanda-Seal

Shand & Jurs "Expanda-Seal" option is available on all pressure pallet assemblies. This feature significantly reduces leakage. The ballooning effect of the Teflon diaphragm effectively seals the valve.

The "Expanda-Seal" feature ensures less than .5 SCFH of air at 95% of the set point.



Features

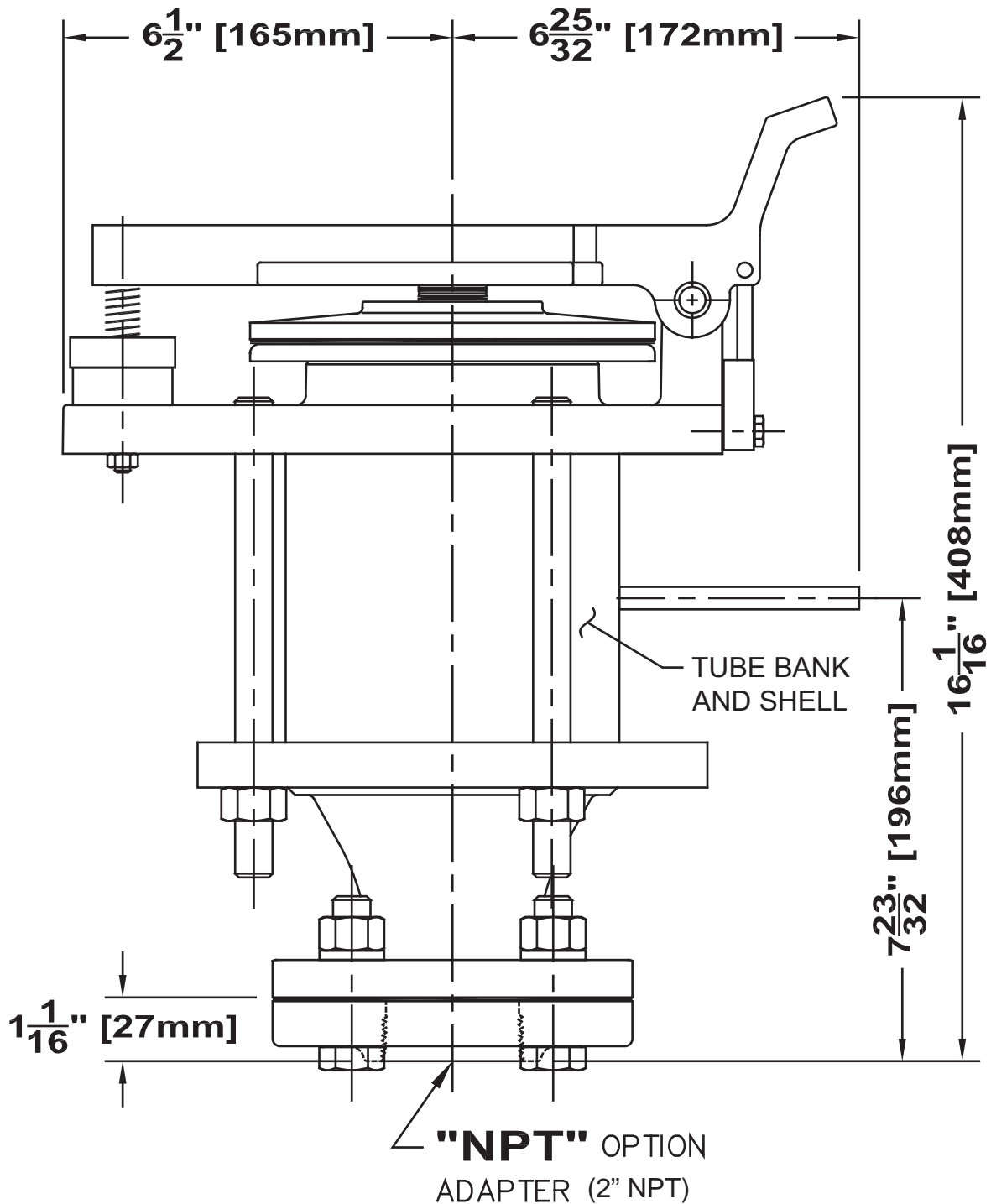
- Sizes 2" thru 6" available
- Cost effective, dual purpose
- Provides emergency pressure relief
- Positive acting magnetic latch
- Features Shand & Jurs Expanda-Seal design
- Serves as a barrier between external flame and internal vapors
- Provides protection against flashback

94580

Combination Emergency Vent & Flame Arrester

SHAND & JUR'S

Outline Dimensions



SHOWN: 2" NPT with 4" Outlet

All designs subject to change. Certified dimensions and specifications available upon request.

SHAND & JUR'S

5911 Butterfield Road Hillside, IL 60162 • tel: (708) 236-6000 • fax: (708) 236-6006
sales@ljtechnologies.com • www.ljtechnologies.com • ISO 9001: 2008 Certified

Rev: 94580-3A

94580 Ordering Guide

Model Number Selection

The model number will consist of a base number **94580** followed by 8 digit numbers. These digits will represent 5 option tables.

94580 - AB - CD - EF - GH

Ordering Information

Specify:

1. Model 94580 Magna-Vent & Flame Arrester
2. Size
3. Material
4. Flange Type
5. Pressure Range



Table AB - Size & Body

Option AB	Size	Material
12	2"	Aluminum
14	3"	Aluminum
15	4"	Aluminum
16	6"	Aluminum
32	2"	Cast Iron
52	2"	Cast Steel
42	2"	316 Stainless Steel
34	3"	Cast Iron
54	3"	Cast Steel
44	3"	316 Stainless Steel
35	4"	Cast Iron
55	4"	Cast Steel
45	4"	316 Stainless Steel
36	6"	Cast Iron
56	6"	Cast Steel
46	6"	316 Stainless Steel

Table E - Seal Type

Option E	Seal
1	Viton / N8090
2	FEP Teflon / N8090
3	Buna / N8090

Table F - Pressure Range

Option F	Settings (PSIG)
1	0.5
2	1
3	1.5
4	2
5	2.5
6	2.75

Table CD - Tube Bank and Shell

Option CD	Tube Bank Material	Shell Material
11	Aluminum	Aluminum
66	304 Stainless Steel	CS Steel
22	316 Stainless Steel	316 Stainless Steel
44	304 Stainless Steel	304 Stainless Steel

Table GH - Flange Type

Option GH	Flange Type
01	RF (ANSI)*
02	FF (ANSI)
03	NPT

*Raised Face Flanges not available with Aluminum bodies