

95500 Cable Sheave Cases & 95506 Cable Sheave Brackets

Model 95500 Cable Sheave Brackets

The Shand & Jurs Series 95500 Cable Sheave Brackets are designed to operate standard or heavy duty type swing lines. The cable sheave bracket consists of a rugged base plate and an upper or load sheave. Two lower guide sheaves assure the proper alignment of the plow steel cable which passes through a cast iron stuffing box.

The construction of the base plate is such that the front edge of the base plate is either welded or bolted to the top angle iron of the tank shell. This ensures centering the load and stress on the tank shell rather than on the tank roof plates.

The Series 95500 Cable Sheave Brackets are available in the two basic models: the standard weight construction or the heavy duty weight construction. Each is available for welding or bolting installations. The second model is a removable bracket configuration and options are available for welding or bolting of standard weight bracket. The heavy duty bracket is for welding option only.

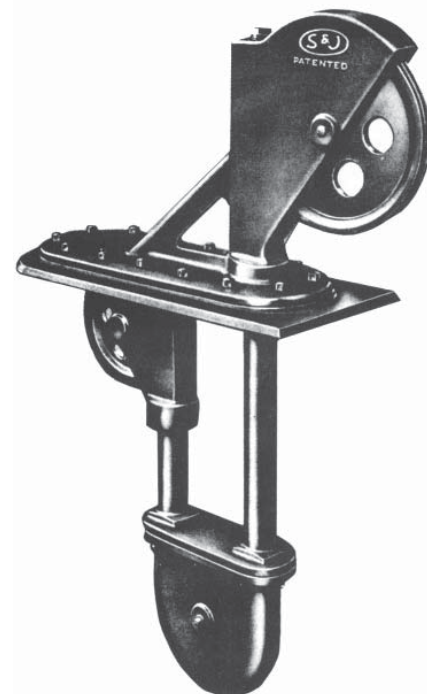
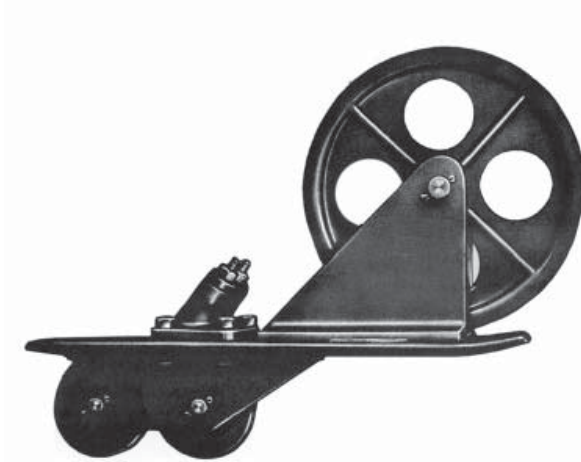
To ensure continuous service and smooth operation, the cable sheave brackets use graphite bronze bearings. The stuffing box is designed to accommodate 3/8", 1/2" or 5/8" steel cable. For special requirements, a single or double type type sheave bracket can be specified.

Model 95506 Cable Sheave Cases (Gas Tight Type)

The Shand & Jurs 95506 Cable Sheave Case is designed to operate on pressurized product storage tanks without loss of vapors. The entire unit consists of a roof plate and three sheave cases. For ease of operation and long service life, each sheave is bushed with bronze collar bushings. Standard sheaves can accommodate cables up to 3/4" diameter. For heavier cable requirements consult factory for availability.

The 95506 patented Cable Sheave Case is made from quality materials and backed by the Shand & Jurs reputation for providing reliable products to the petroleum and other related industries. This unit is designed for gas tight operation within the range of 4 ounces of pressure to 3 ounces of vacuum. For higher pressure or vacuum requirements, simply extend the length of the liquid seal.

The 95506 can be operated in applications where freezing of condensate is a serious problem. In such cases, keeping the inner sheave housing clear of water is imperative. The use of anti-freeze or similar liquid in the seal should provide good protection. Gas Tight Sheave Cases are available for welding or bolting to tank roof.



Dimensions:

Models:

Standard	Heavy Duty
95501-01	95504-01
95502-02	95504-02

Models:

Standard	Heavy Duty
95503-01	95501-01
95503-02	

Holes punched for riveting or bolting when specified
Size, number and spacing of holes furnished on request

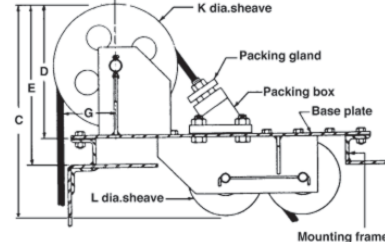
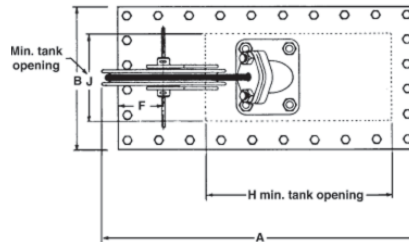
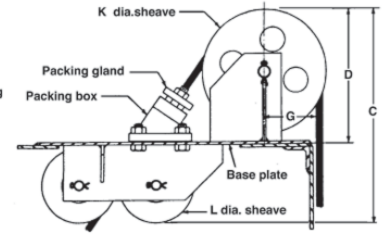
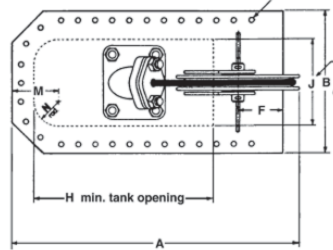
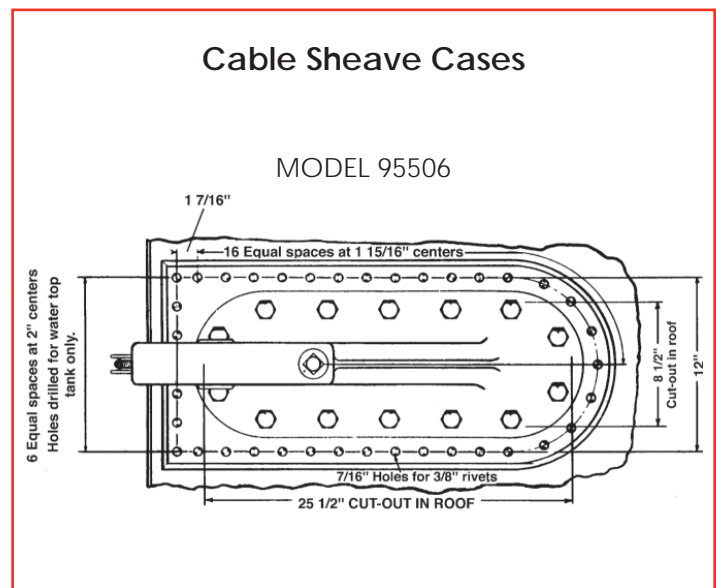
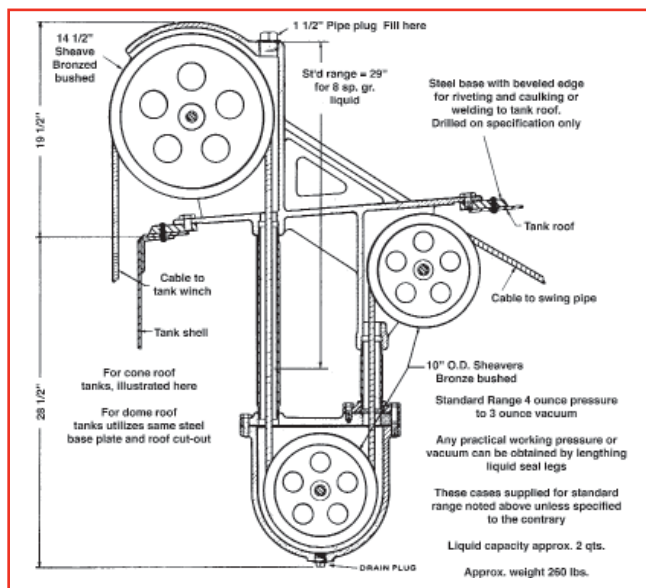


Table of Dimensions													
Model Number	A	B	C	D	E	F	G	H	J	K	L	M	N
95501 95502	23 1/4	11 1/2	17	10 3/4	---	3 5/8	4 3/16	15	7	10	6	3 3/4	2
95504	32 1/4	12	23 1/4	17	---	3 1/2	7 3/16	15	9	16	6	4	2
95503	25 7/8	11 1/2	17	10 3/4	12 3/4	3 5/8	4 3/16	15	7	10	6	---	---
95505	34 13/16	14	23 1/4	17	19 1/2	5	7 3/16	15	9	16	6	---	---

Dimensions



All designs subject to change. Certified dimensions and specifications available upon request.

955XX Ordering Guide

Model Number Selection

The model number will consist of a base number **955XX** followed by 2 digit numbers. These digits will represent an option table.

955XX - AB

Ordering Information

Specify:

1. Model Number
2. Welding or Bolting of Standard Weight Bracket
3. Size of Steel Cable Used: 3/8", 1/2" or 5/8"
4. For Special Requirements, a Single or Double Type Sheave Bracket Can Be Specified

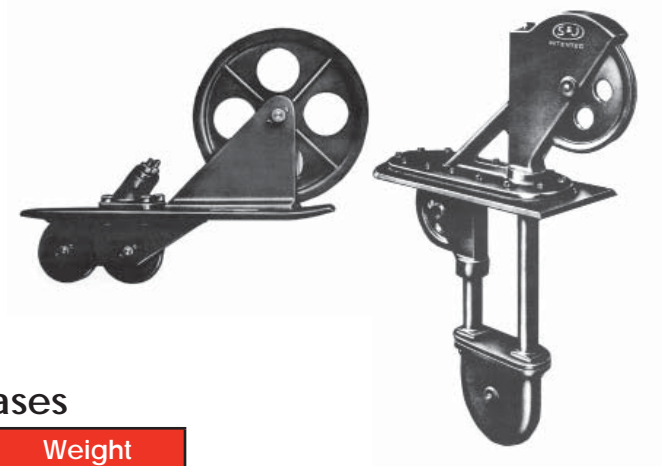


Table AB - Cable Sheave Brackets and Cases

Model Number	Description	Weight
95501-01	Bracket for Welding	65 lbs.
95502-02	Bracket for Bolting	65 lbs.
95503-01	Removable Bracket for Welding	90 lbs.
95503-02	Removable Bracket for Bolting	90 lbs.
95504-01	HD Bracket for Welding	100 lbs.
95504-02	HD Bracket for Bolting	100 lbs.
95505-01	HD Removable Bracket for Welding	125 lbs.
95506-01	Case for Welding	260 lbs.
95506-02	Case for Bolting	260 lbs.
95509-01	6" Plain Bracket	8 lbs.
95509-02	10" Plain Bracket	14 lbs.