

95600/01/02 Cable Winches for Swing Line

The Shand & Jurs Cable Winches incorporate the finest design and highest quality materials available. This winch is used in raising and lowering swing lines in storage tanks and is of the worm gear type which is highly superior to the conventional spur gear winch that requires a pawl to prevent the winch from running down. The breaking of a pawl holds the possibility of the swing line damaging the bottom of the storage tank, and the spinning handle injuring the operator.

Gears in the Shand & Jurs Winch are accurately machined with the result that the winch is smooth in operation and there is no back lash. The handle has a loose hand grip which revolves with the hand when the winch is operated. When the handle is released it remains in that position and the weight of the swing line will not move it. The winch is mounted on steel supports which can be riveted or welded to the tank shell. In the event of damage to the winch, it can be removed from the supports without the necessity of detaching the supports from the tank. The gear ratio of these winches is calculated to require the least amount of pull on the crank to raise or lower the swing lines to which they are applied.

The Shand & Jurs Winch is suitable for a variety of applications including raising and lowering swing lines in storage tanks, oil baths and other applications. Construction material is case steel fabrication. The 95600 Winch is made in two sizes: the No. 1 Heavy duty, 1500 lbs. capacity and No. 3 Light duty, 500 lbs. capacity. The 95601 is identical to the 95600 but has an indicator. The 95602 has a standard lift capacity of 2500 pounds.

Shand & Jurs Model 95650 Cable Collar Clamp

The Cable Collar Clamps are necessary to properly affix the plow steel cable to the swing line. They are regularly supplied by Shand & Jurs as part of the complete system. They are made of machine steel and are available in 3", 4", 6", 8", 10", 12", 14", 16", 18" & 20" sizes. Be sure to specify pipe size when ordering cable collar clamps.

Shand & Jurs Plow Steel Cable

Plow steel cable combines extreme toughness with pliability and is ideally suited for raising and lowering the swing line. It readily withstands the strain imposed by the weight of the line and is sufficiently flexible to wind easily on the winch. For the greatest satisfaction, the necessary cable should always be ordered with a winch. It is available in 1/4", 3/8", 1/2", and 5/8" diameter.



Features

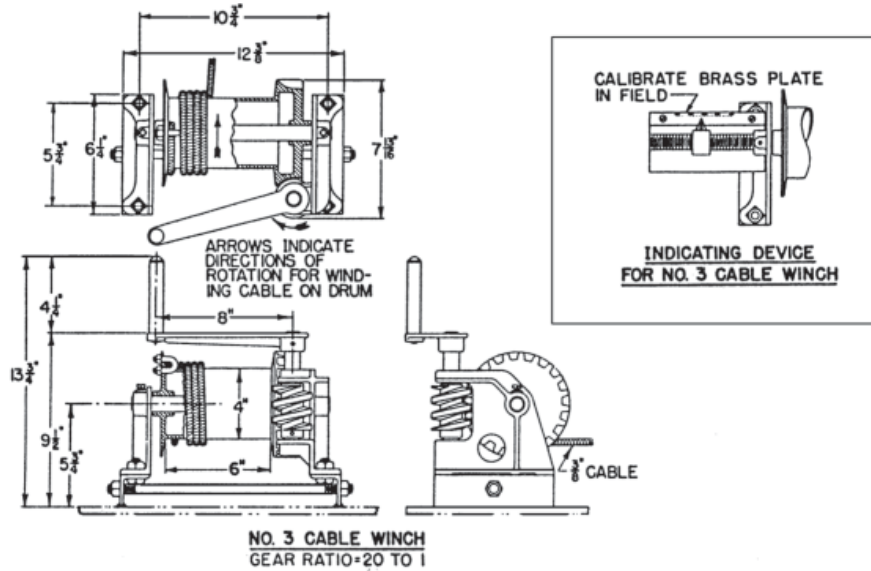
- Highest quality materials available
- Model 95602 - 2500 lb. lift capacity
- Model 95600 & 95601 - 500 lb. & 1500 lb. capacities each
- The most reliable cable winch available
- Worm gear technology
- Simple, positive, smooth operation
- Minimal maintenance

95600 / 95601 / 95602

Cable Winches for Swing Line

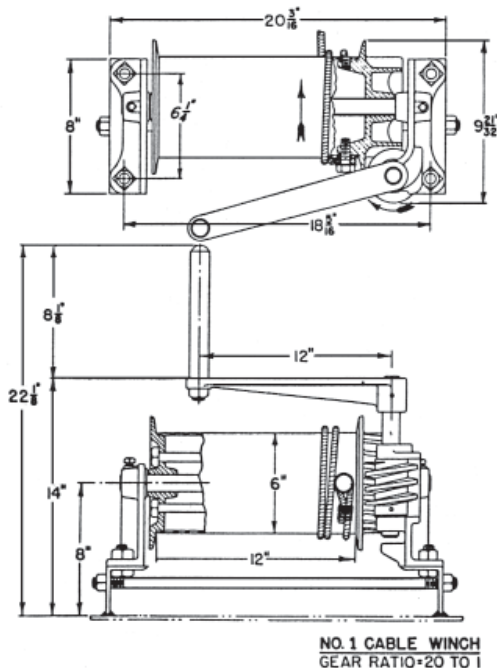


Dimensions:

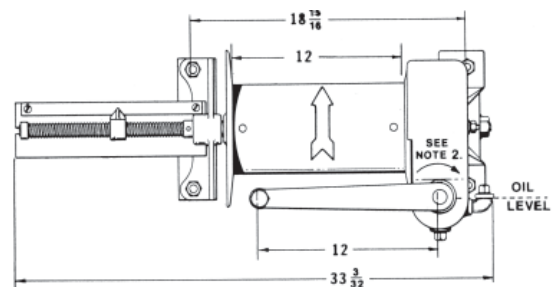


Models 95600-02

	95600-01	95600-02	95602-01
Capacity	1500 lb.	500 lb.	2500 lb.
Cable Length (3/8" - 1 Wrap)	53'	18'	53' 5"
Cable Length (3/8" - 2 Wrap)	113'	40'	109' 11"
Cable Length (1/2" - 1 Wrap)	41'	----	40' 10"
Cable Length (1/2" - 2 Wrap)	88'	----	84' 10"



Models 95600-01



- NOTE:**
1. Allow clearance for rotation of crank.
 2. Arrows indicate rotation to wind cable on drum.

All designs subject to change. Certified dimensions and specifications available upon request.



5911 Butterfield Road Hillside, IL 60162 • tel: (708) 236-6000 • fax: (708) 236-6006
sales@ljtechnologies.com • www.ljtechnologies.com • ISO 9001: 2008 Certified

Rev: 95600-3A

956XX Ordering Guide

Model Number Selection

The model number will consist of a base number **9560X** followed by 2 digit numbers. These digits will represent an option table.

9560X - AB



Table AB - Capacity

Model Number	Description	Weight
95600-01	Winch # 1 - 1,500 lb. Capacity without Indicator	132 lbs.
95601-01	Indicator Assembly for Winch #1	132 lbs.
95600-02	Winch # 3 - 500 lb. Capacity without Indicator	30 lbs.
95601-02	Indicator Assembly for Winch #3	30 lbs.
95602-01	Cut Gear Oil Bath Type - Single Drum - 2,500 lb. Capacity with out Indicator	95 lbs.
95603-01	Cut Gear Oil Bath Type - Single Drum - 2,500 lb. Capacity with Indicator	95 lbs.

Clamp Size

Model Number	Description	Weight
95650-01	3"	4 lbs.
95650-02	4"	5 lbs.
95650-03	6"	6 lbs.
95650-04	8"	7 lbs.
95650-05	10"	8 lbs.
95650-06	12"	11 lbs.
95650-07	14"	14 lbs.
95650-08	16"	21 lbs.
95650-09	18"	28 lbs.
95650-10	20"	36 lbs.

Swing Joints

Model Number	Description	Weight
95661-01	3" (Supports not required)	60 lbs.
95661-02	4", with Supports	80 lbs.
95661-03	6", with Supports	165 lbs.
95661-04	8", with Supports	200 lbs.
95661-05	10", with Supports	380 lbs.
95661-06	12", with Supports	480 lbs.
95661-07	14", with Supports	630 lbs.
95661-08	16", with Supports	1100 lbs.
95661-09	18", with Supports	1400 lbs.
95661-10	20", with Supports	1750 lbs.

For more information on Shand & Jurs Swing Joints, please see the 95661 Product Data Sheet.